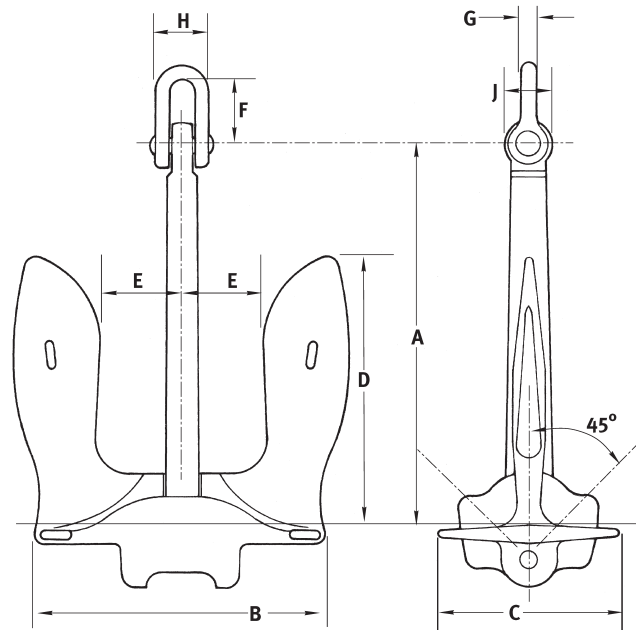




US NAVY STOCKLESS



These have the same usage abilities as the stockless anchor, however the flukes are longer. Each fluke is provided with an opening for the insertion of strapping material in order to help secure the anchor to the ship's deck.

Anchor Weight (lb)	A	B	C	D	E	F	G	H	J
300	28-5/8	22-1/8	13-3/4	20-5/16	6-7/16	6	1-1/8	4	3-1/2
400	31-1/2	24-3/8	15-1/8	22-3/8	6-15/16	6-13/16	1-1/4	4-3/8	3-7/8
500	34	26-1/4	16-1/4	24-3/32	7-1/2	6-5/16	1-5/16	4-11/16	4-1/8
600	36	27-29/32	17-9/32	25-5/8	7-15/16	6-5/8	1-7/16	5	4-3/8
800	39-11/16	30-11/16	19	28-3/16	8-3/4	7-5/16	1-9/16	5-9/16	4-7/8
1,000	42-3/16	33-1/8	20-1/2	30-3/8	9-13/32	7-15/16	1-11/16	6	5-1/4
1,200	45-3/8	35-1/8	21-3/4	32-1/4	10	8-3/16	1-7/8	6-3/8	5-1/2
1,300	46-5/8	36	22-3/8	33-1/8	10-9/32	8-11/16	1-3/4	6-3/8	5-11/16
1,500	49	37-7/8	23-1/2	34-3/4	10-3/4	9	2	6-7/8	6
1,800	52	40-1/4	24-15/16	36-15/16	11-7/16	9-9/16	2-1/16	7-5/16	6-3/8
2,000	54	41-11/16	25-13/16	38-1/4	11-7/8	9-5/16	2-1/8	7-9/16	6-1/2
2,200	54-5/8	43	26-5/8	39-1/2	12-1/4	10-1/4	2-3/16	7-3/4	6-3/4
2,500	58	44-7/8	27-13/16	41-1/4	12-3/4	10-3/4	2-1/4	8-3/16	7-3/16
3,000	63-1/2	50	30-1/2	44-1/2	13-7/8	11-1/4	2-3/8	8-1/2	7-1/2
3,500	64-7/8	50-1/8	31-1/16	46-3/32	14-9/32	12	2-1/2	8-15/16	7-7/8
4,000	67-7/8	52-1/2	32-9/16	48-7/32	14-15/16	12-1/2	2-11/16	9-9/16	8-13/16
5,000	73	56-9/16	35	51-15/16	16-1/16	13-1/2	2-7/8	10-1/4	9-1/8
6,000	77-3/4	60-3/16	37-5/16	55-1/4	17-1/8	14-5/16	3-1/16	10-15/16	9-5/8
7,000	82	63-1/4	39-1/4	58-1/16	18-1/32	15-1/8	3-3/16	11-1/2	9-15/16

Anchor Weight (lb)	A	B	C	D	E	F	G	H	J
8,000	85-1/2	66-1/8	41	60-3/4	18-7/8	15-3/4	3-3/8	12	10-3/8
9,000	88-7/8	68-3/4	42-5/8	63-1/8	19-5/8	16-3/8	3-1/2	12-1/2	10-3/16
10,000	92	71-1/4	44-1/8	65-3/8	20-5/16	17	3-5/8	12-15/16	10-13/16
11,000	95	73-9/16	45-5/8	67-1/2	20-29/32	17-1/2	3-3/4	13-3/8	11-13/4
12,000	97-7/8	75-3/4	47	69-1/2	21-19/32	18	3-7/8	13-3/4	11-7/8
13,000	100	77-3/8	46-5/8	71-1/16	22	18-3/8	3-15/16	14-1/8	12-5/16
14,500	104	80-5/8	50	73-1/4	22-9/16	19-3/16	4-1/8	14-5/8	12-7/8
15,000	105-1/2	82-1/4	51	74	23-1/8	19-5/8	4-1/4	15	13
16,000	107-11/16	83-11/32	51-5/8	76-1/2	23-23/32	19-7/8	4-1/4	15-1/8	13-1/4
18,000	112	86-5/8	53-3/4	79-9/16	24-5/8	20-5/8	4-3/8	15-3/4	13-13/16
20,000	116	89-3/4	55-5/8	82-7/16	25-1/2	21-7/16	4-1/2	16-1/4	14-5/16
22,500	120-1/2	93-5/16	57-13/16	85-11/16	26-17/32	22-1/4	4-3/4	17	14-7/8
25,000	125	96-11/16	59-15/16	88-13/16	27-1/2	22-15/16	5	17-9/16	15-7/16
30,000	132-3/4	102-11/16	63-5/8	94-1/4	29-7/32	24-7/16	5-1/4	18-11/16	16-3/8
35,000	139-3/4	108	67-1/16	99-5/16	30-3/4	25-3/4	5-1/2	19-11/16	17-1/4
40,000	146	113-1/16	70	103-1/8	32-1/4	27-1/8	5-5/8	20-1/8	17-3/4
45,000	152	117-5/8	72-7/8	108	33-7/16	28	6	21-3/4	18-3/4
60,000	188	125-3/4	87-5/16	132-7/8	38-11/16	29	7-1/2	24-1/2	20-1/2